

Name : \_\_\_\_\_

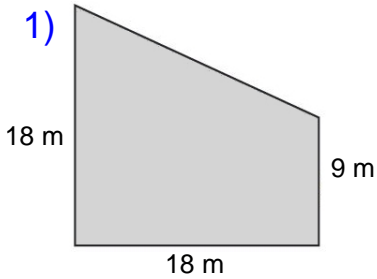
Score : \_\_\_\_\_

Teacher : \_\_\_\_\_

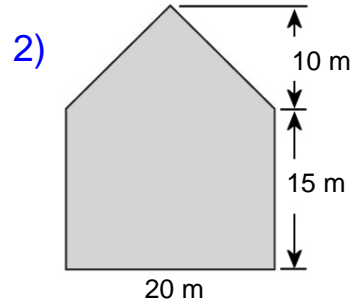
Date : \_\_\_\_\_

### Compound Shapes

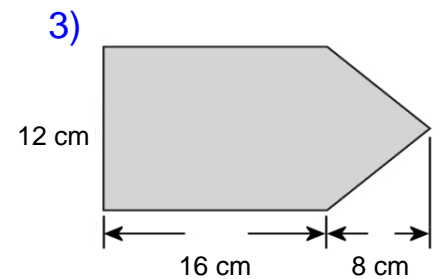
Find the area of each figure, round your answer to one decimal place if necessary.



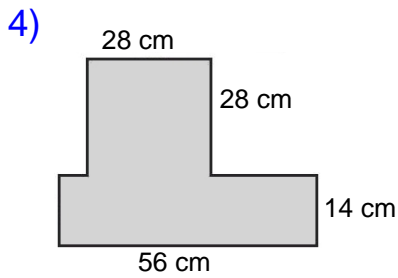
Area: \_\_\_\_\_



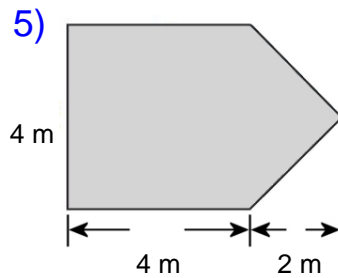
Area: \_\_\_\_\_



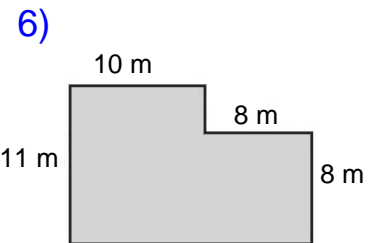
Area: \_\_\_\_\_



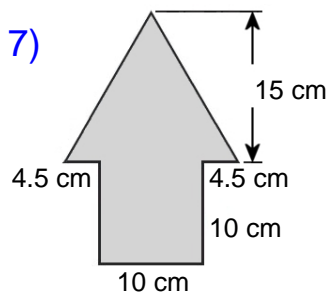
Area: \_\_\_\_\_



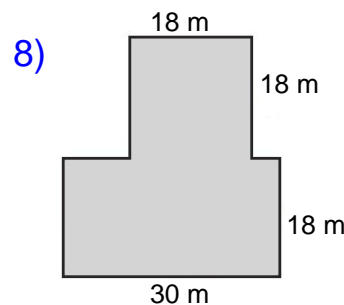
Area: \_\_\_\_\_



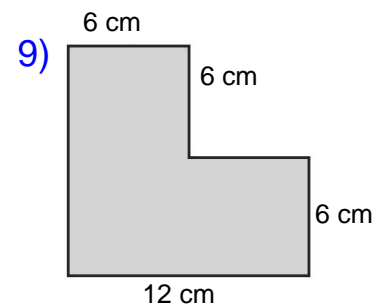
Area: \_\_\_\_\_



Area: \_\_\_\_\_



Area: \_\_\_\_\_



Area: \_\_\_\_\_

Name : \_\_\_\_\_

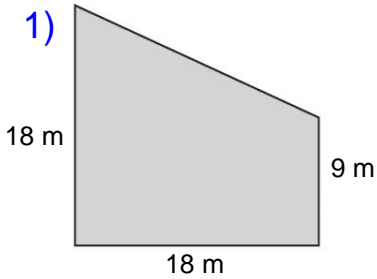
Score : \_\_\_\_\_

Teacher : \_\_\_\_\_

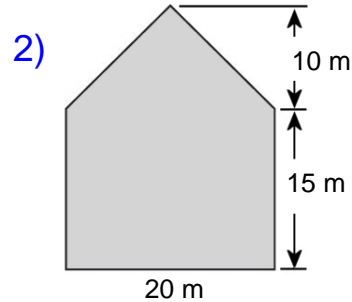
Date : \_\_\_\_\_

### Compound Shapes

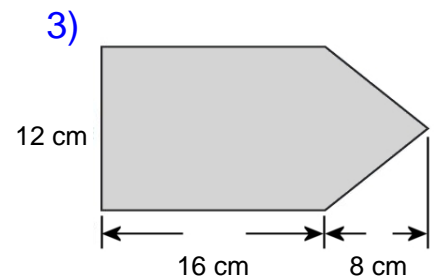
Find the area of each figure, round your answer to one decimal place if necessary.



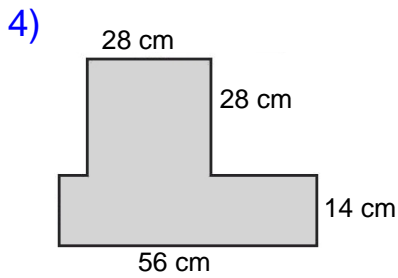
Area: 243 m<sup>2</sup>



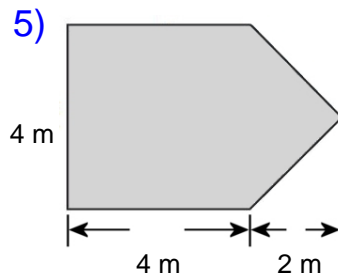
Area: 400 m<sup>2</sup>



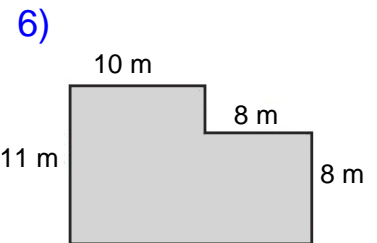
Area: 240 cm<sup>2</sup>



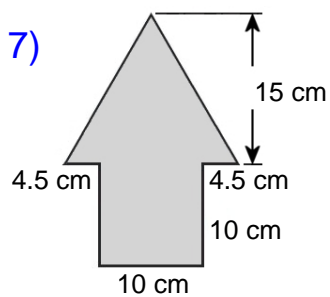
Area: 1568 cm<sup>2</sup>



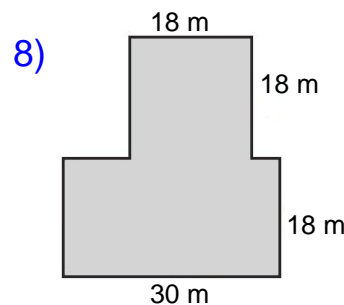
Area: 20 m<sup>2</sup>



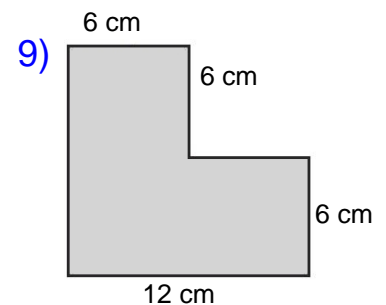
Area: 174 m<sup>2</sup>



Area: 242.5 cm<sup>2</sup>



Area: 864 m<sup>2</sup>



Area: 108 cm<sup>2</sup>